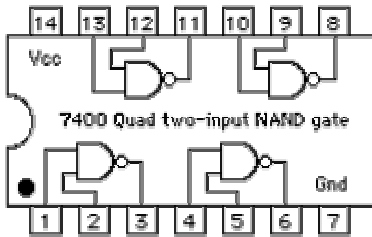
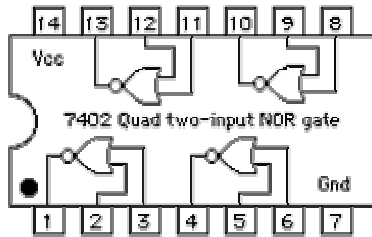


Aquí encontraras los diagramas de los chips del Winbreadboard

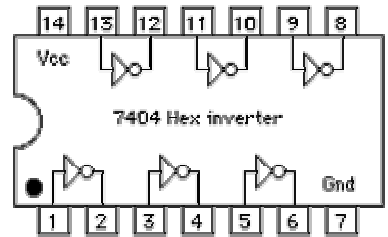
**7400**



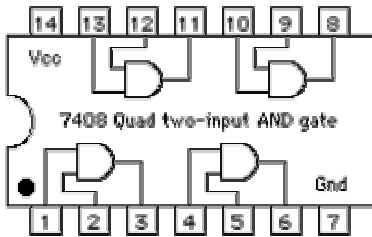
**7402**



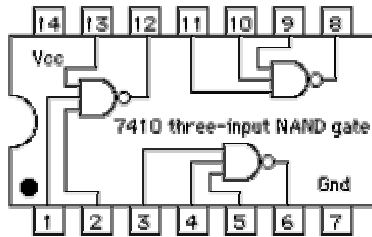
**7404**



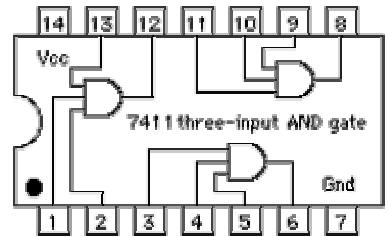
**7408**



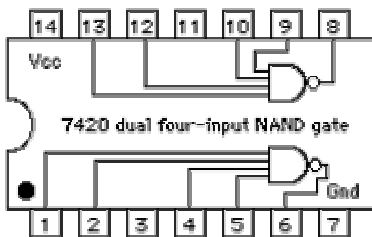
**7410**



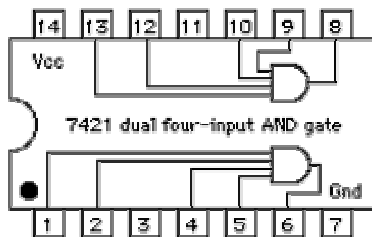
**7411**



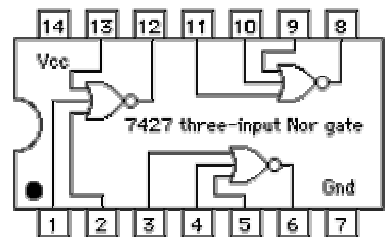
**7420**



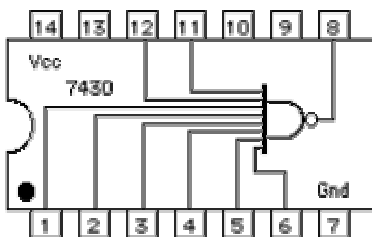
**7421**



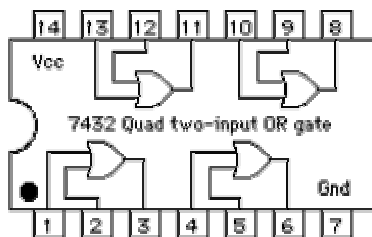
**7427**



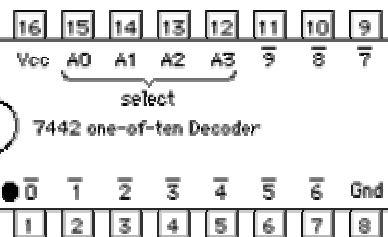
**7430**



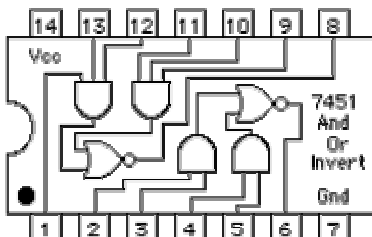
**7432**



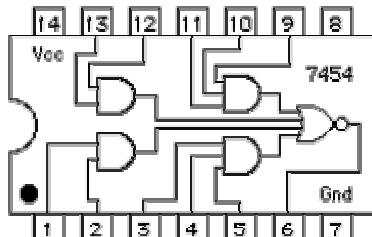
**7442**



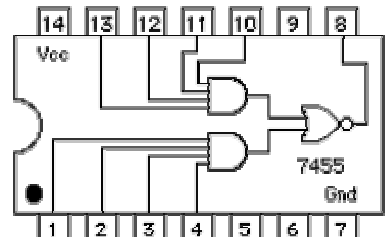
**7451**



**7454**



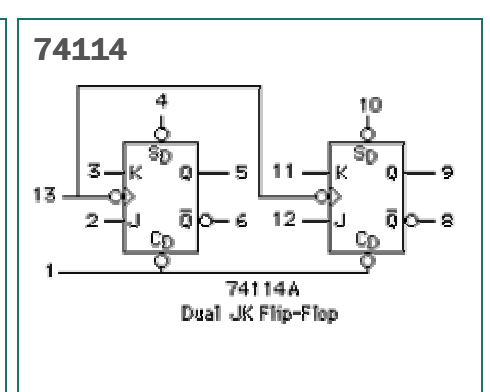
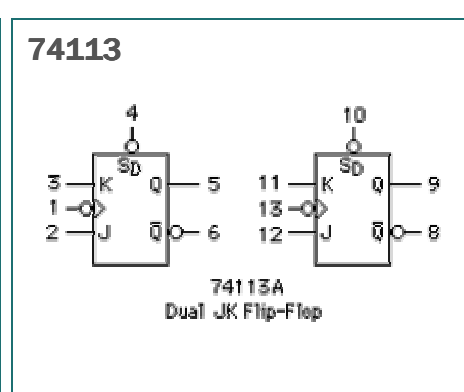
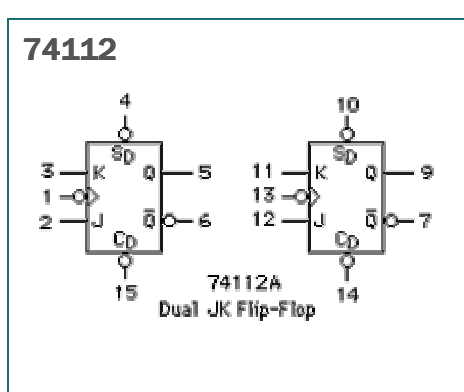
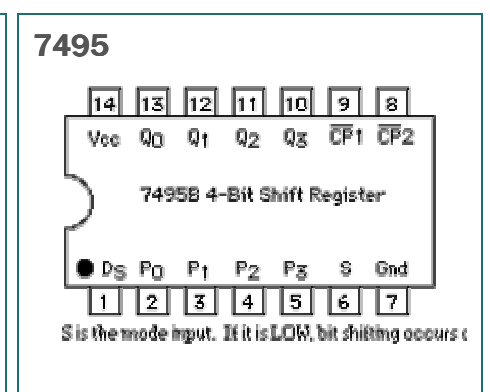
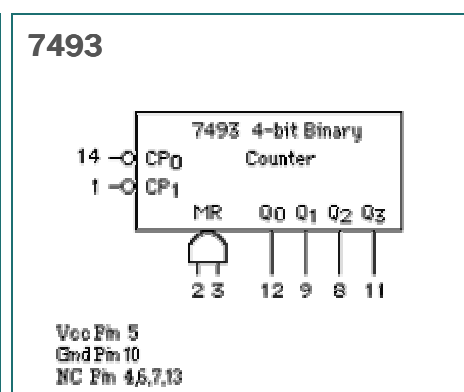
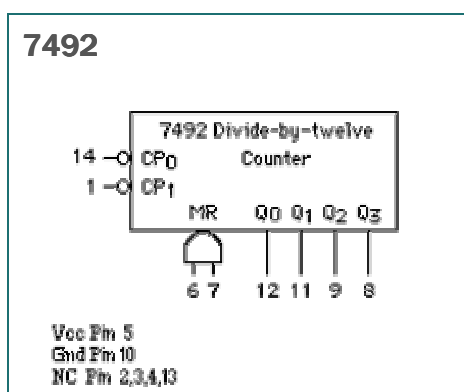
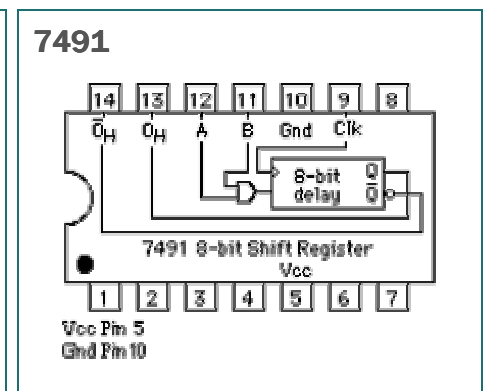
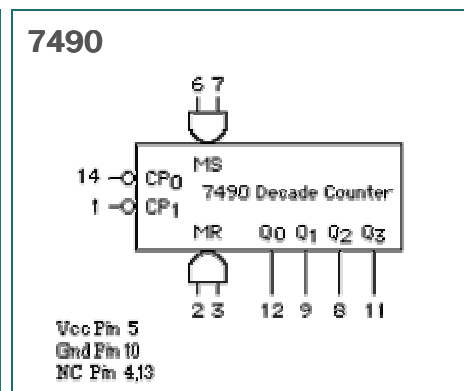
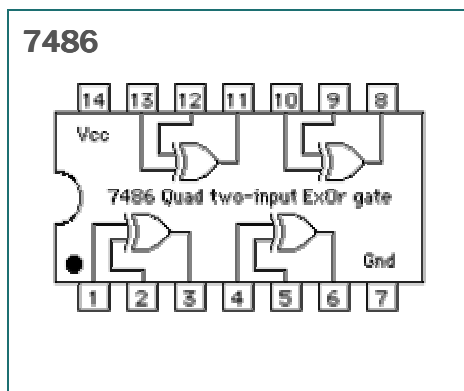
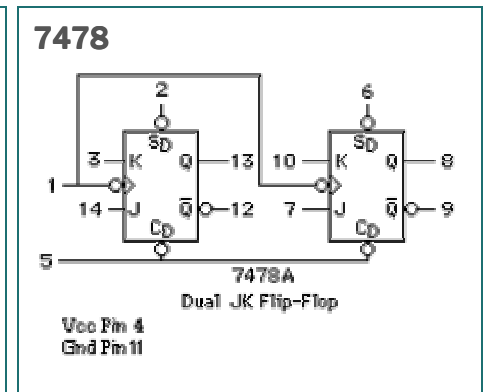
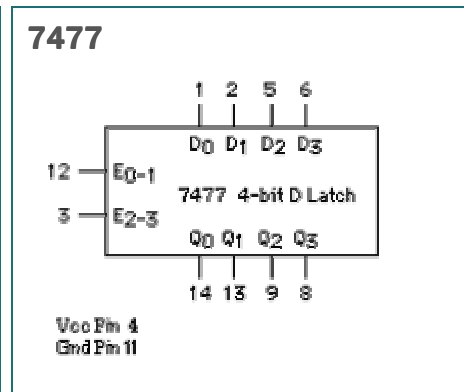
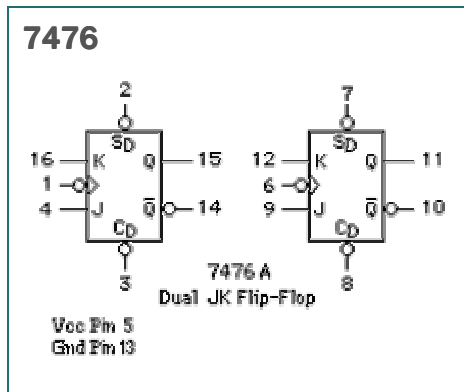
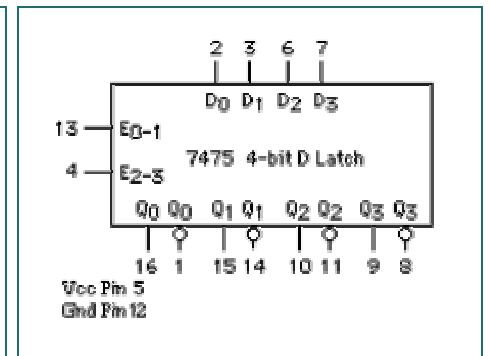
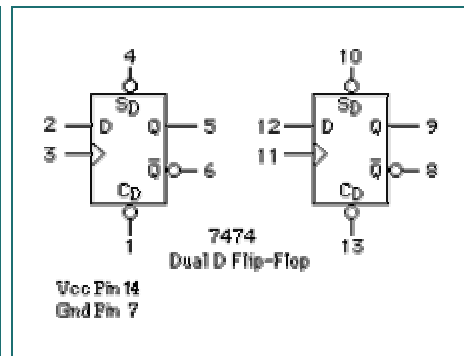
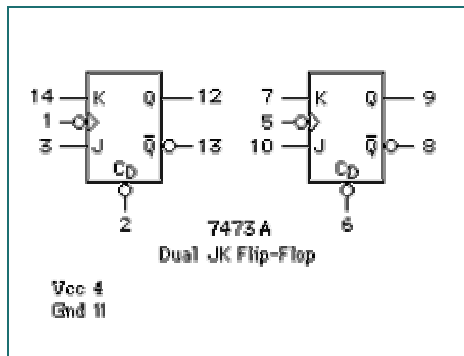
**7455**



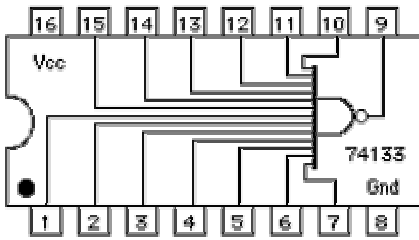
**7473**

**7474**

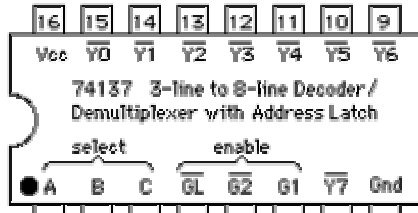
**7475**



### 74133

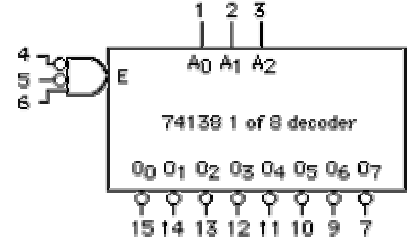


### 74137



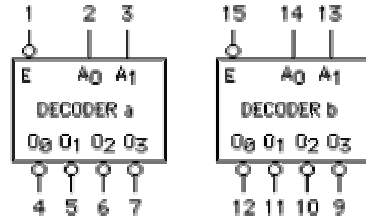
A is the least significant bit (LSB)

### 74138



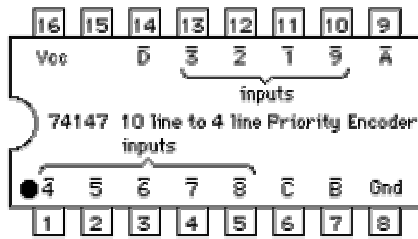
Vcc Pin 16 Gnd Pin 8  
If Enable is not active (ie LOW), all outputs are HIGH, otherwise one output is active (LOW)

### 74139



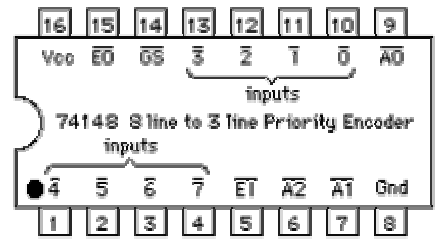
74139 1-of-4 Decoder/Demultiplexer  
Vcc 16  
Gnd 8

### 74147



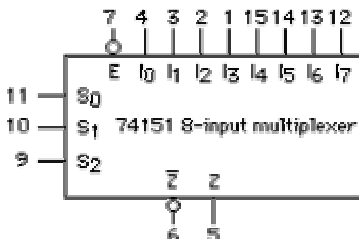
Pin 15 is not used.  
DCBA are output pins. A is the least significant bit

### 74148



EI is the Enable Input, and is active low.  
EO is the Enable output, and is active low when EI is active and ALL inputs are high.

### 74151



If Enable is not active (ie HIGH) the Z output is LOW, otherwise one of the 8 inputs is passed to the Z output. The complement of the Z output is also available.